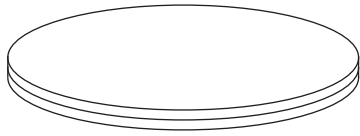
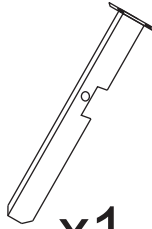


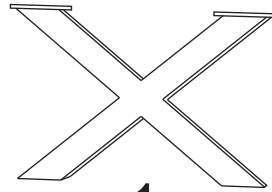
# ASSEMBLY INSTRUCTION



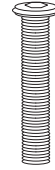
x1



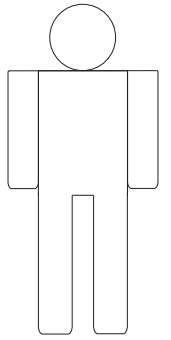
x1



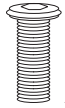
x1



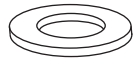
x1



2



x12



x13



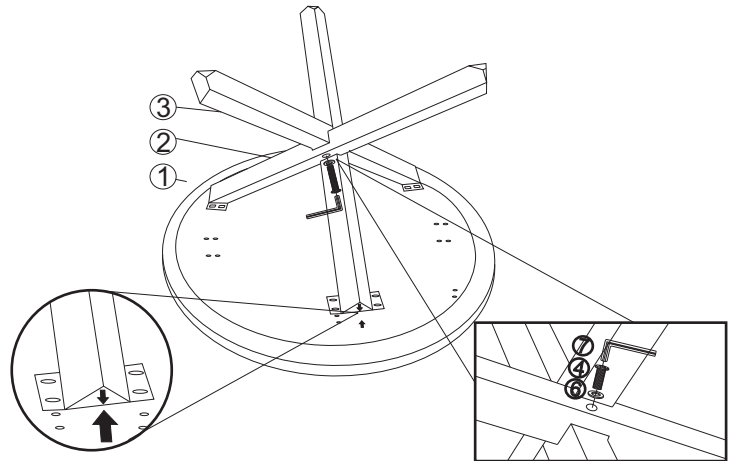
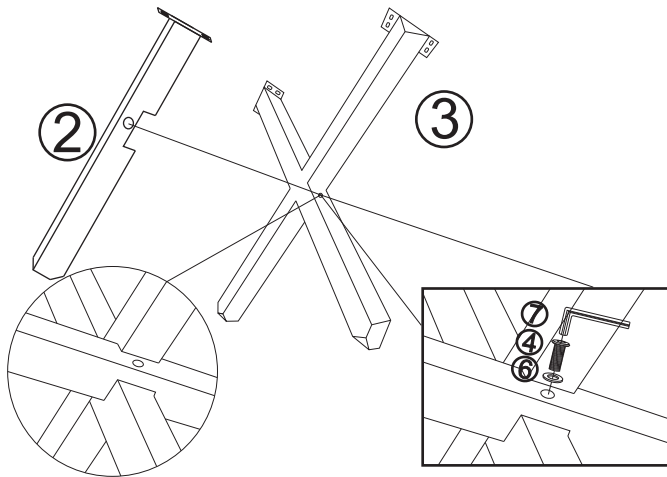
x1

## Step-1

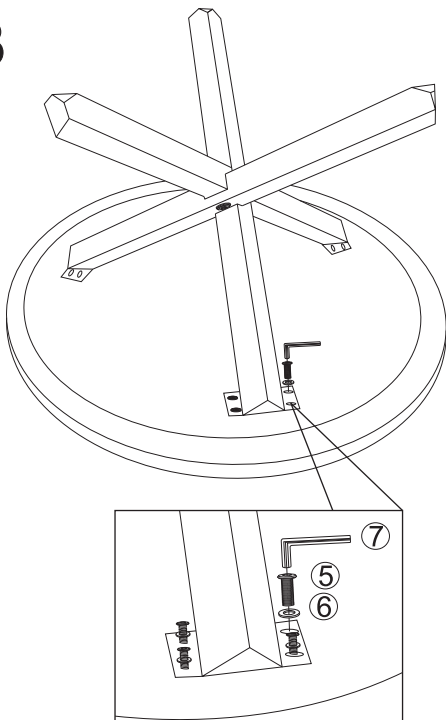
CAUTION:

- First tighten the leg screws to about 70%.
- Align the holes of legs with the holes in the table top.
- Tighten all screws completely.

## Step-2



## Step-3



## Step-4

